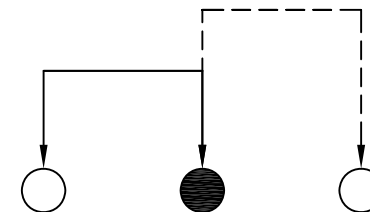
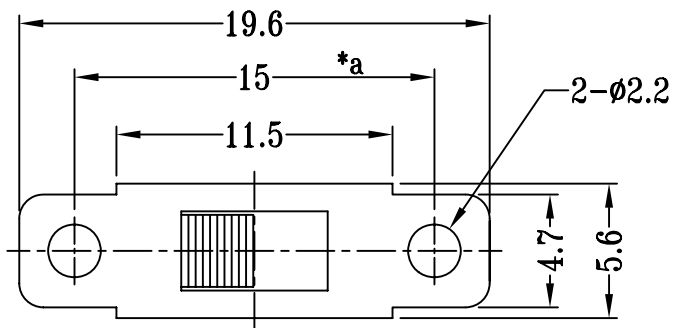
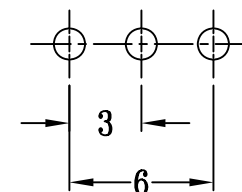
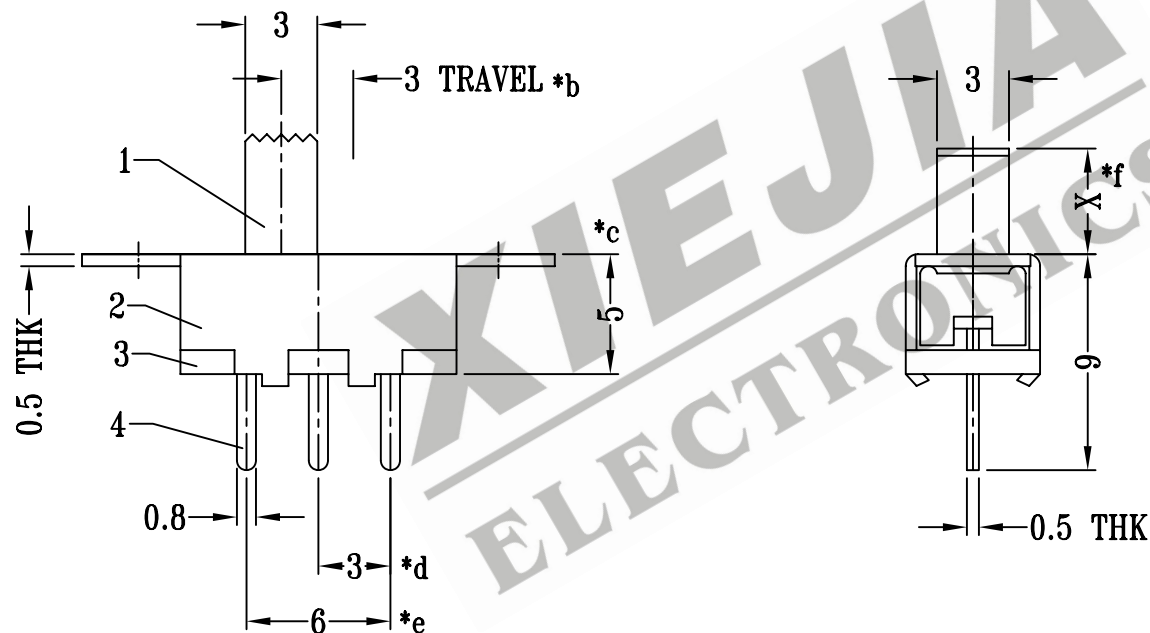


CAD FILE:



SCHEMATIC (NON-SHORTING)



P.C.B LAYOUT

注:带"*"表示关键尺寸(6个)

				TOLERANCE UNLESS SPECIFIED		SHENZHEN XIEJIA ELECTRONICS CO.,LTD.				
				WITHIN: 1.5±0.1mm		ISSUE	DATE	DESCRIPTIONS OF REVISION		APPD.
				OVER: 1.5±0.2mm						
8										
7										
6	CONTACT CLIP	COPPER STRIP	1	Ag PLATED						
5	SPRING	STEEL WIRE	1	TEMPER						
4	TERMINAL	BRASS STRIP	3	Ag PLATED OVER Ni PLATED	TITLE : VERTICAL SLIDE SWITCH		UNIT : mm	DRWG NO.: XJ-DR-SS12F30-00		
3	BASE	PHENOLIC RESIN	1	NATURAL	MODEL: SS-12F30		SCALE: 3 : 1	DWN.	ZHOUYU	2002-6-10
2	FRAME	STEEL STRIP	1	BLACK	ALL MATERIALS MUST BE COMPLIANT TO ROHS			CHK'D	FANGYING	2002-6-10
1	KNOB	POM	1	BLACK				APPD.	KANGXINAN	2002-6-10
NO.	PARTS	MATERIALS	Q'TY	FINISH						